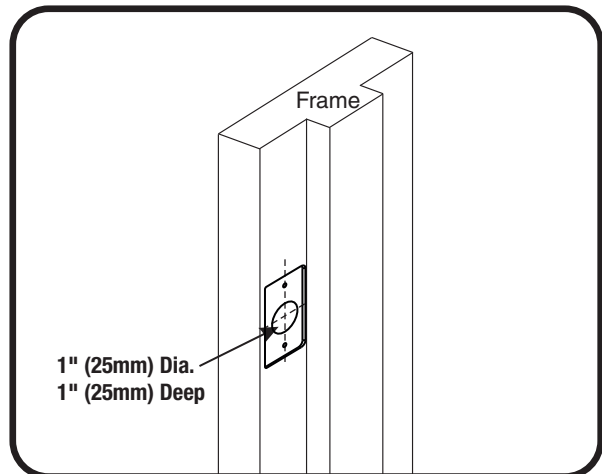
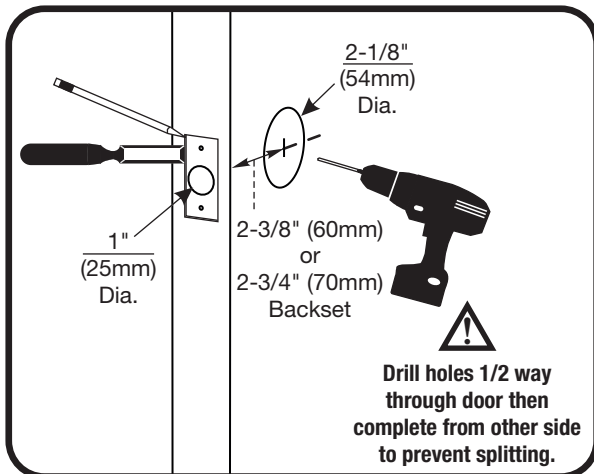


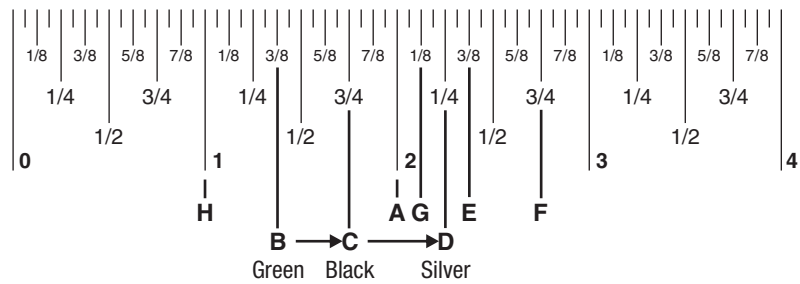
## Preparing Door & Frame

*Necessary for new doors or adjusting existing prep.*

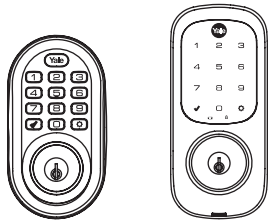


# Check Your Door Guide

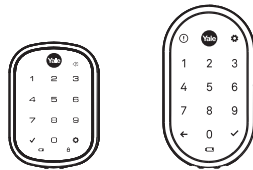
## For doors with existing hardware



### Keyed Locks



### Key Free Locks



\*Keyed locks are supplied with Screw Set D for 1-3/4" to 2-1/4" door thickness. A thin door gasket (sold separately) is required for 1-3/8" to 1-3/4" door thicknesses. Screw Sets B and C cannot be used.

\*Key Free locks are supplied with all screw sets to accommodate door thicknesses 1-3/8" to 2-1/4".

**CAUTION:**  
If printed from electronic file,  
set print scale to 1:1  
Measure ruler to check scale.

- A. Minimum clearance between top of existing lever/knob rose (trim) and center of deadbolt hole.
- \* B. 1-3/8" Door Thickness; use Screw Set B for key free locks or thin gasket for keyed locks. Screws are tinted green.
- \* C. 1-3/8" - 1-3/4" Door Thickness; use Screw Set C for key free locks or thin gasket for keyed locks. Screws are tinted black.
- \* D. 1-3/4" - 2-1/4" Door Thickness; use Screw Set D. Screws are tinted silver.
- E. Backset; use Out of Box latch setting.
- F. Backset; adjust latch setting.
- G. Face Bore Diameter.
- H. Edge Bore Diameter and Depth.  
Cross Bore Diameter.

#### Measure Clearance

✓ Greater than A

✗ Less than A  
(Your door is not a match for a Yale electronic lock)

#### Measure Door Thickness

✓ B, C or D

✗ Less than B  
(Your door is not a match for a Yale electronic lock)

✗ Greater than D  
(Your door is not a match for a Yale electronic lock)

#### Measure Backset

✓ Equals E or F

✗ Less than E or F  
(Your door is not a match for a Yale electronic lock)

✗ Greater than E or F  
(Your door is not a match for a Yale electronic lock)

Backset  
2-3/8" (60mm)  
or  
2-3/4" (70mm)

#### Measure Face Bore

✓ Equals G

✗ Less than G  
(Adjust diameter to 2-1/8")

✗ Greater than G  
(Your door is not a match for a Yale electronic lock)

2-1/8" (54mm)

#### Measure Cross Bore

✓ Equals H

✗ Less than H  
(Adjust diameter to 1")

✗ Greater than H  
(Your door is not a match for a Yale electronic lock)

1" (25mm) Dia.

#### Measure Strike Pocket Diameter and Depth

✓ Equals H

✗ Less than H  
(Adjust diameter and depth to 1")

✗ Greater than H  
(Your door is not a match for a Yale electronic lock)

1" (25mm) Dia.  
1" (25mm) Deep

## Yale Locks & Hardware

Product Support Tel 1-855-213-5841 • [www.yalehome.com](http://www.yalehome.com)

Yale® is a registered trademark of ASSA ABLOY Residential Group. Other products' brand names may be trademarks or registered trademarks of their respective owners and are mentioned for reference purposes only. © Copyright 2020. All rights reserved. Reproduction in whole or in part without the express written permission of ASSA ABLOY Residential Group is prohibited.